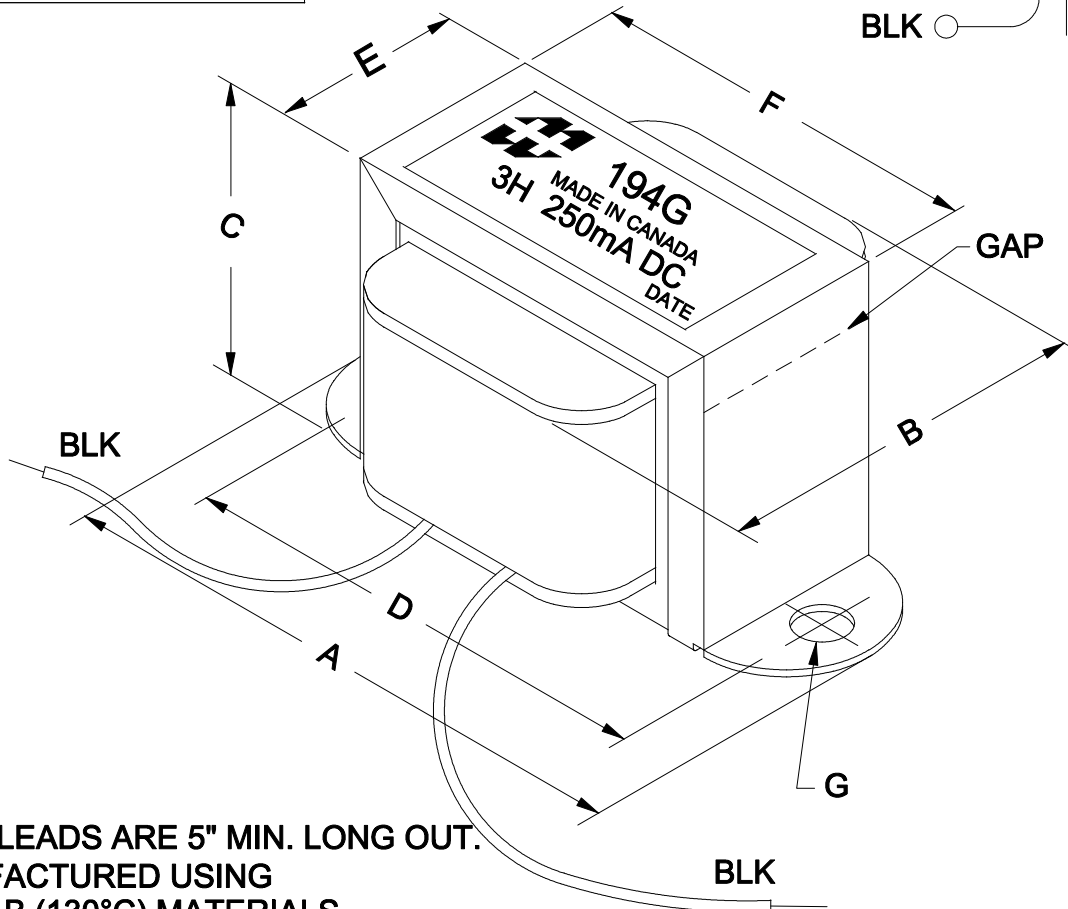
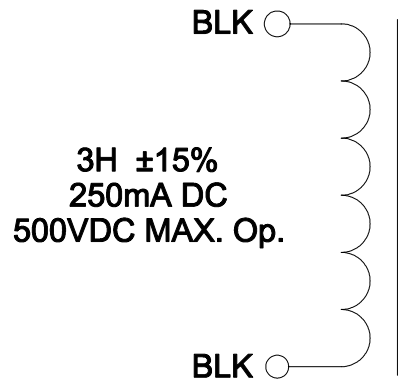


DIMENSIONS:	
A	3.250" ±0.063
B	2.000" ±0.125
C	1.995" ±0.063
D	2.813" ±0.063
E	1.076" ±0.063
F	2.326" ±0.063
G	0.187" ±0.015



NOTE: LEADS ARE 5" MIN. LONG OUT.
MANUFACTURED USING
CLASS B (130°C) MATERIALS.
RoHS COMPLIANT

ELECTRICAL DATA:

TESTS	CONDITIONS	ACCEPTANCE CRITERIA	
INDUCTANCE	@ 30V, 60Hz, 250mA DC, BLK - BLK	3H	±15%
DCR	@ 20°C, BLK - BLK =	79.92 Ω	±15%
HIPOT	PRIMARY - SECONDARY	1500V, 60Hz, 1 SEC	

HAMMOND
MANUFACTURING™

ELECTRONIC DIVISION
52 RANKIN PLACE,
WATERLOO, ONTARIO, N2J 3Z5
PH # (519) 886-6181
FAX # (519) 886-9540

TITLE

CHOKE

NO	DATE	REVISION	DWG. BY
0	10/13/15	RELEASED.	C.I. CORINA ILIE
			DATE 10/13/15
			DIM IN (X)MM ()

194G