



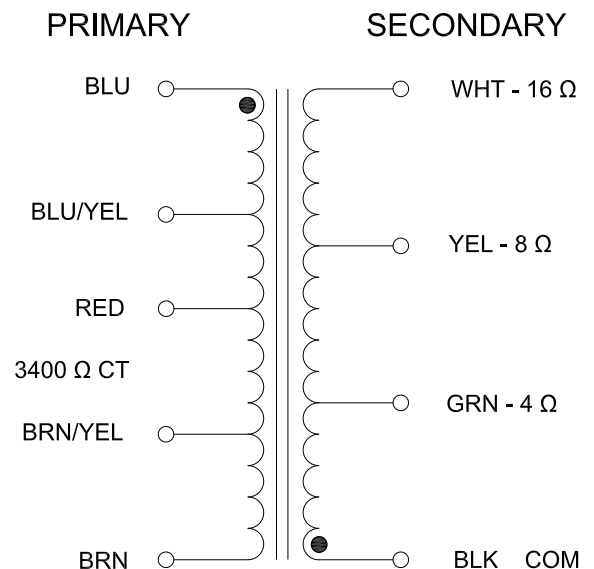
1650KA

HI-FI AUDIO OUTPUT MULTIPLE SECONDARY TRANSFORMER

- NEW & improved version of our 1608-1650 Series multiple secondary output transformers (Re-designed secondaries for easy hook-up of secondary loads).
- Designed for push-pull tube output circuits.
- Units are designed to provide ample "headroom" at bass frequencies (Note the weight of each transformer).
- Enclosed (shielded), 4 slot, above chassis Type "X" mounting.
- Manufactured with plastic coil forms for coil support and insulation.
- Frequency response 30Hz. to 30KHz (+/- 1db max. - ref. 1KHz) minimum.
- Insulated flexible leads 8" min.
- Typical applications - Push-Pull: triode, Ultra-Linear pentode, pentode and tetrode connected audio output.

ELECTRICAL SPECIFICATIONS	
Characteristic	Typical
Input Impedance	3400 Ohms
Output Impedance	4, 8 & 16 Ohms
Output Power	50 Watts
DCR	
Primary Blue-Red	32.74 Ohms
Primary Red-Brown	36.71 Ohms
Secondary Black-Green	0.306 Ohm
Secondary Black-Yellow	0.432 Ohm
Secondary Black-White	0.540 Ohm
Inductance Impedance	
	@ 60Hz, 10.0V OC
Primary Blue-Brown	170.0H 78.0KOhm
Leakage Inductance	
	@ 60Hz, 10.0V SC
Primary Blue-Brown	9.42mH
Dielectric Strength	
	2000Vrms
Temperature Range	
	-40 To 105°C

SCHEMATIC


 HAMMOND
MANUFACTURING™

1650KA

BLK - GRN - YEL - WHT: COM - 4Ω - 8Ω - 16Ω

BLU - RED - BRN : 3400Ω CT

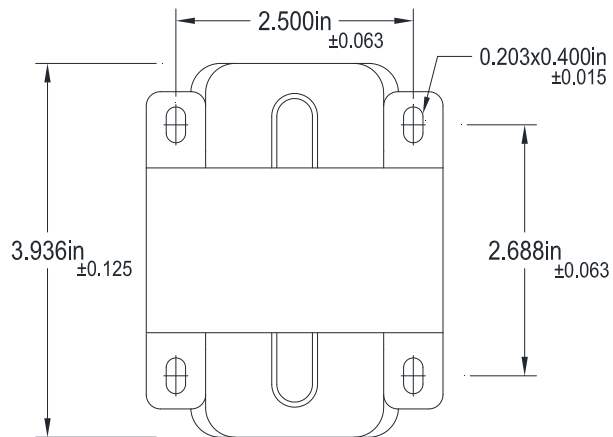
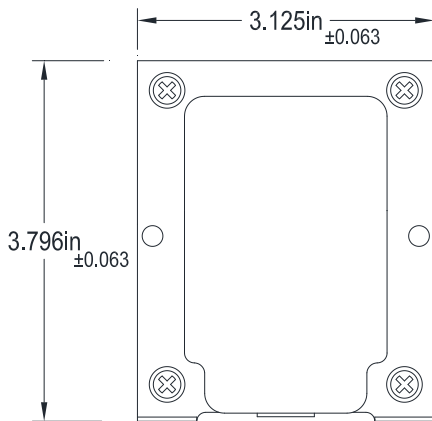
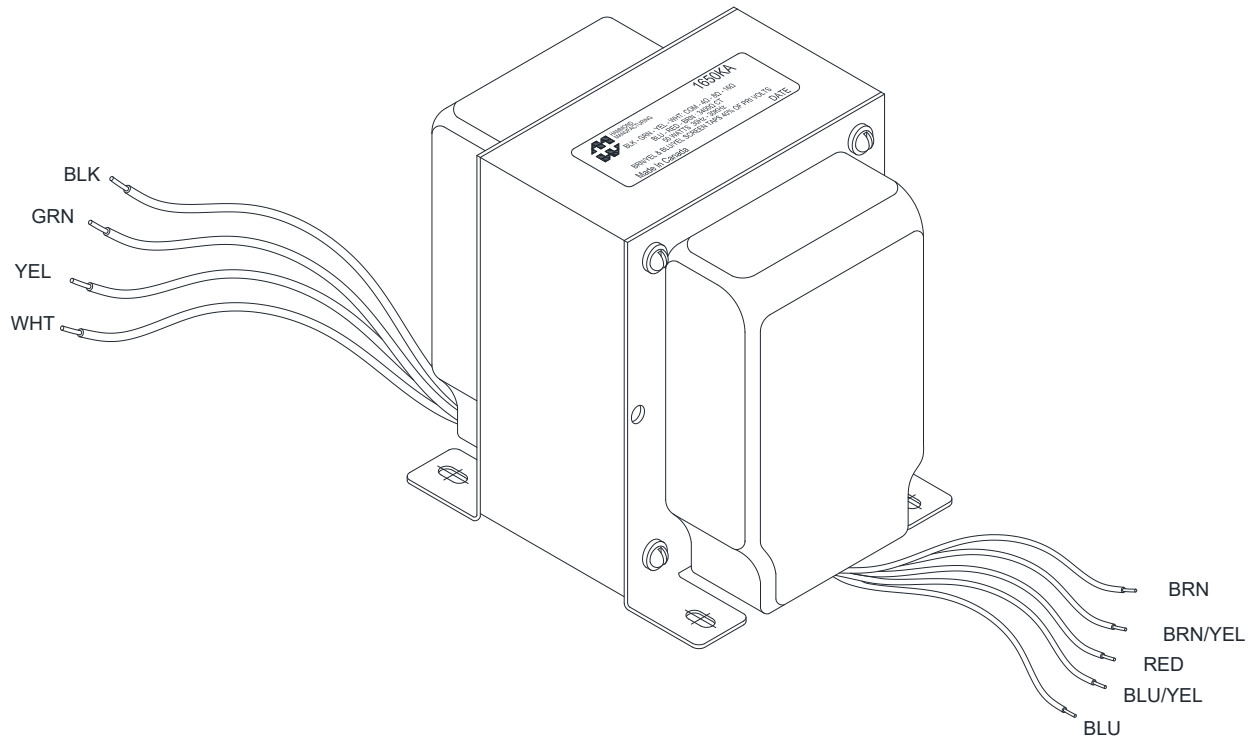
50 WATTS 30Hz - 30KHz

BRN/YEL & BLU/YEL SCREEN TAPS 40% OF PRI VOLTS

Made In Canada

DATE

DIMENSIONAL DETAILS:

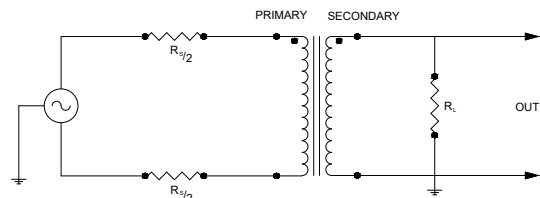


TEST CONDITIONS

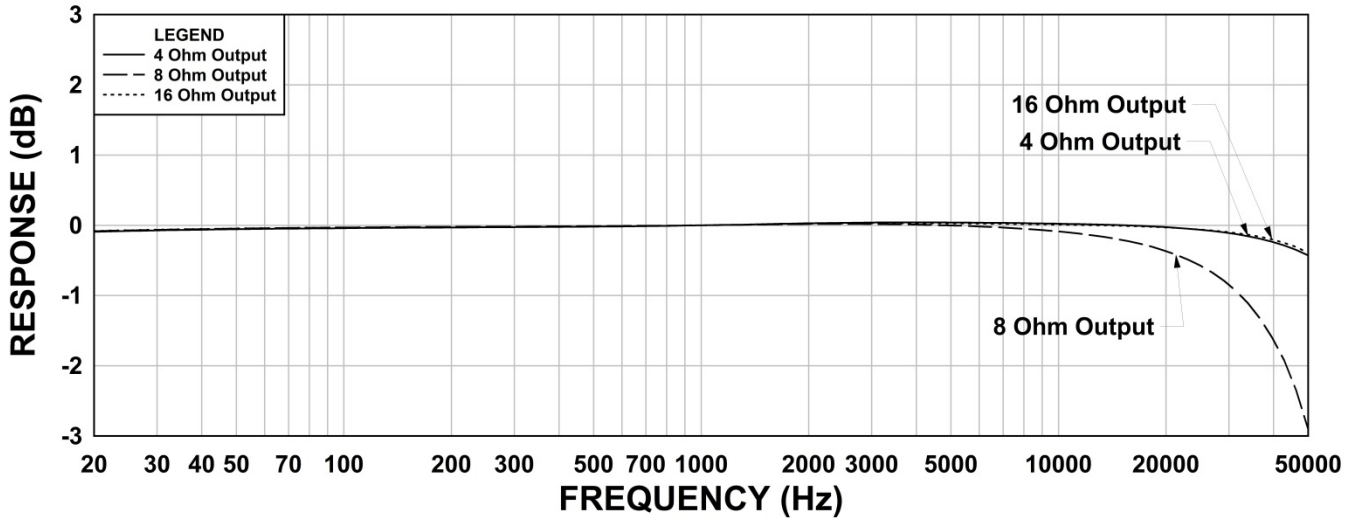
Measurement Instruments:
 dScope Series III Audio Analyzer
 Wayne Kerr 3255B with a 3265B Inductance Analyzer
 HP 4192a LF Impedance Analyzer
 Keithley 2010 DVM

* All graphs input level 27dBu @1.0KHz reference.
 **The results are typical and are subject to normal manufacturing and electrical tolerances.

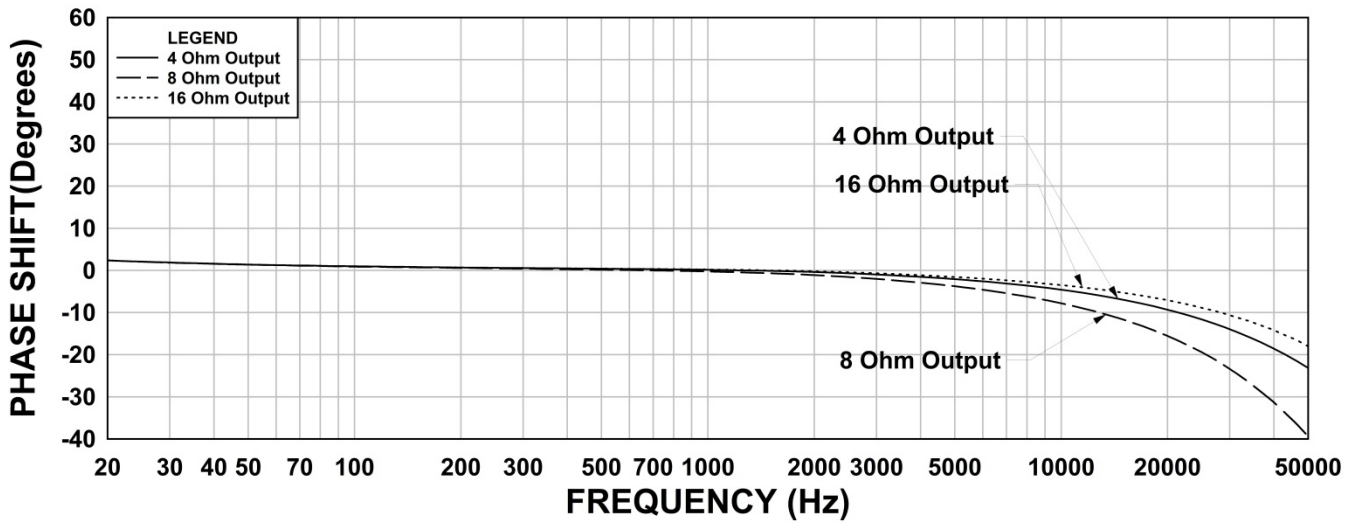
TYPICAL TEST CIRCUIT



1650KA Frequency Response RS = 3400 Ohms



1650KA Phase Shift RS = 3400 Ohms



1650KA THD+N RS = 3400 Ohms

