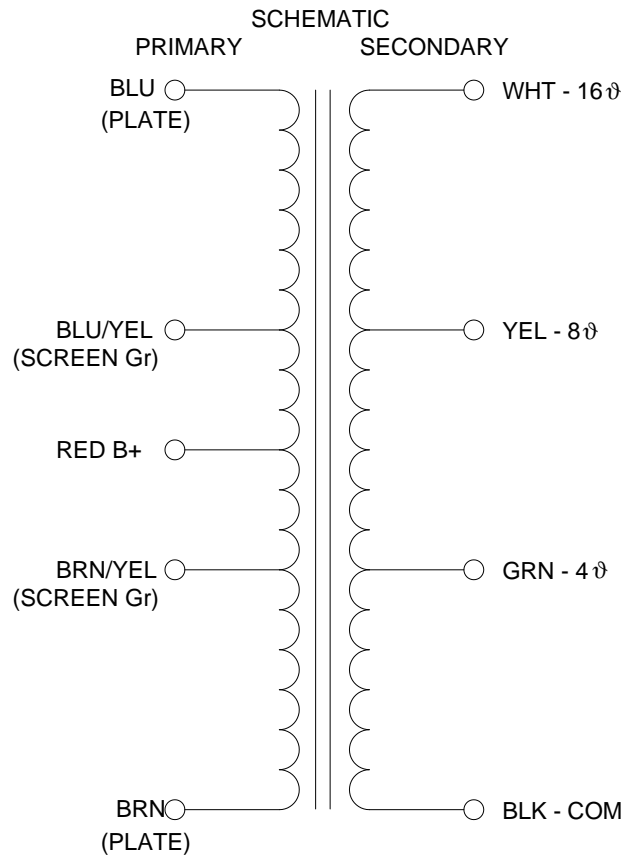
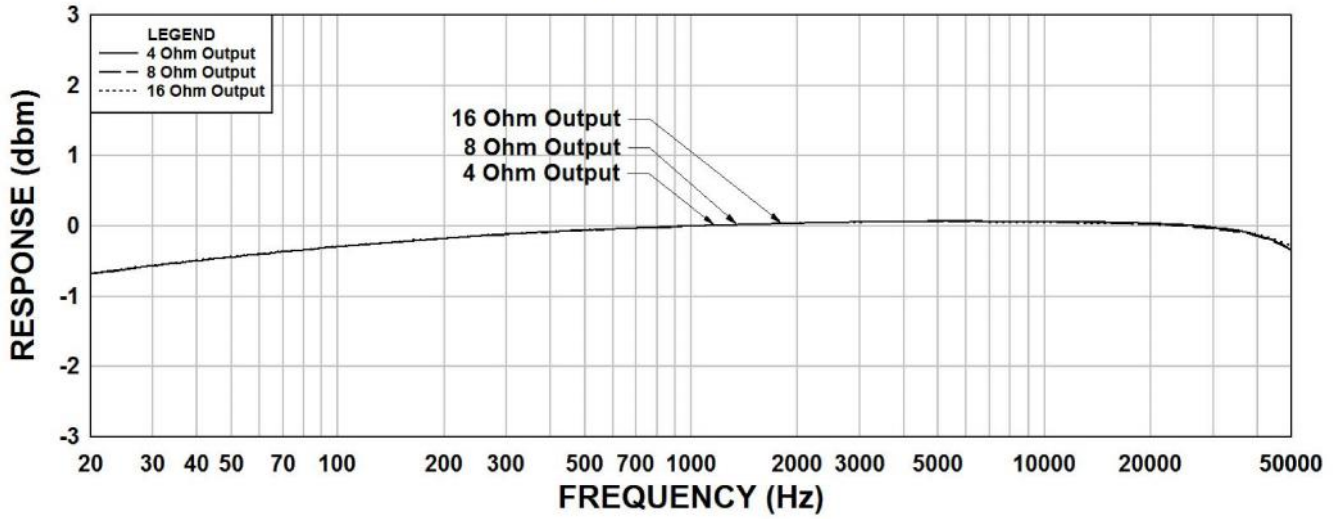


ELECTRICAL SPECIFICATIONS****Schematic and Hook Up Data**

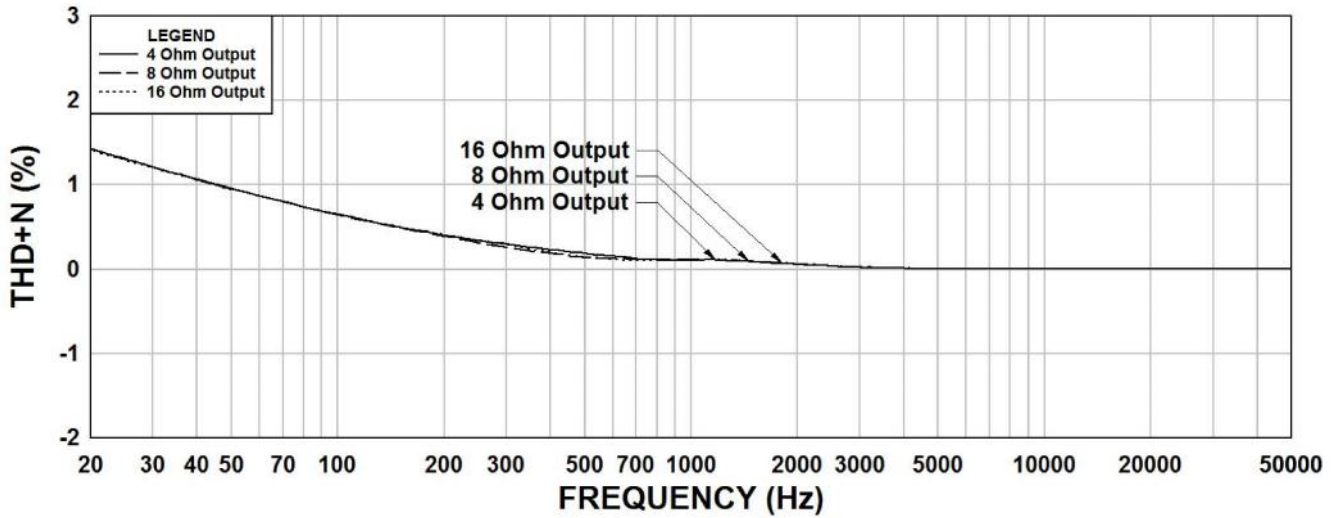
Characteristic	Typical
Input Impedance	10000 \varnothing
Output Impedance	4 \varnothing /8 \varnothing /16 \varnothing
Output Power	10Watts
Primary - DCR	
Blue – Brown	246 \varnothing
Secondary DCR	
Black – Green	181m \varnothing
Black – Yellow	293m \varnothing
Black – White	359m \varnothing
Inductance	@ 1.0kHz, 1.0V OC
Primary – Blue – Brown	13.5Hy
Black – Green	51.6mH
Black – Yellow	87.2mH
Black – White	139.5mH
Impedance	@ 1.0kHz, 1.0V OC
Primary – Blue – Brown	85 K \varnothing
Black – Green	147.4 \varnothing
Black – Yellow	283.9 \varnothing
Black – White	512.4 \varnothing
Frequency Response	See graphs for specific response, Typ. $\left\{ \begin{array}{l} 1.0\text{db from} \\ 30\text{Hz to } 30\text{KHz} \end{array} \right.$
Dielectric Strength	2000Vrms
Temperature Range	-40 To 105 \varnothing C



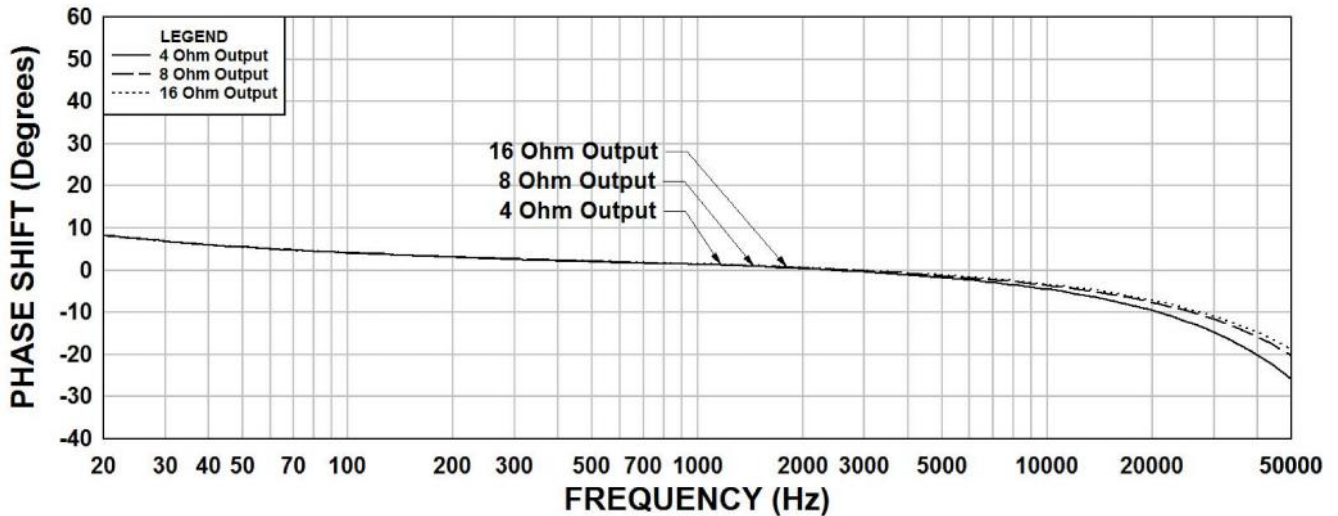
1609A Frequency Response $R_s = 10K$ Ohms



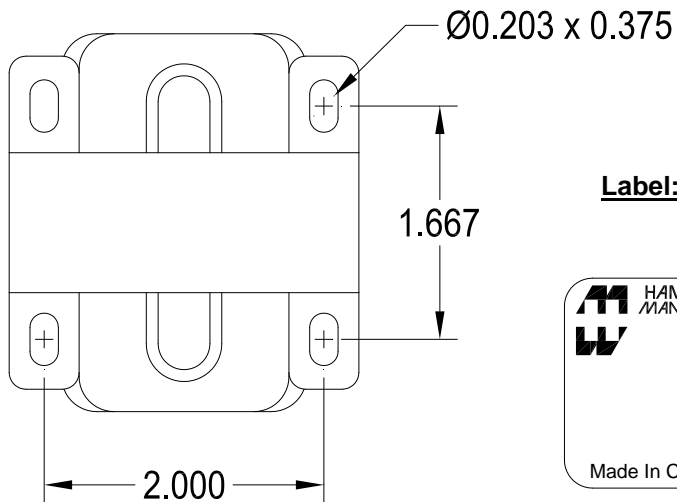
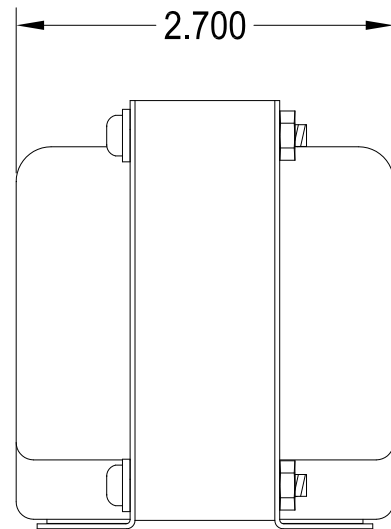
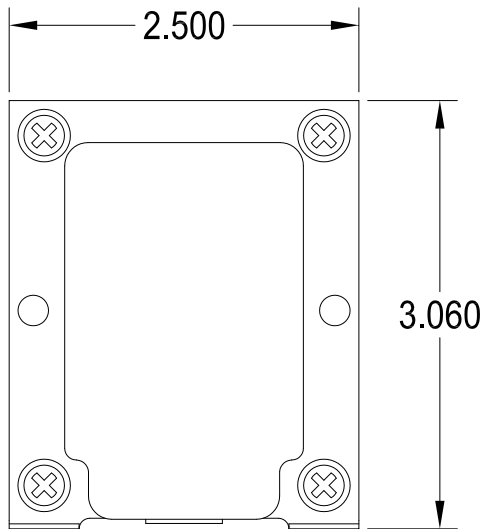
1609A THD+N $R_s = 10K$ Ohms



1609A Phase Shift $R_s = 10K$ Ohms



Dimensional Details:

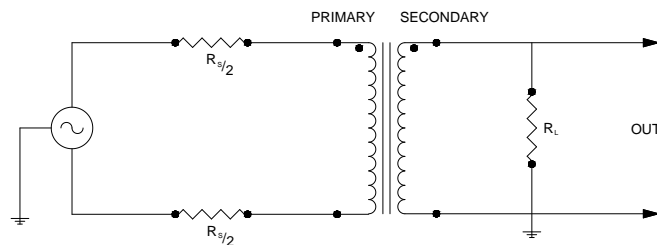


Label:

	HAMMOND MANUFACTURING _{INC.}	1609A
		10WATTS 30Hz - 30KHz
	BLK - GRN - YEL - WHT	
	COM - 4OHM - 8OHM - 16OHM	
	BLU - RED - BRN: 10000 OHMS CT	
	BRN/YEL & BLU/YEL	
	SCREEN TAPS 40% OF PRI VOLTS	
Made In Canada		DATE

TYPICAL TEST CIRCUIT

Measurement instruments
 Hp4192a impedance analyzer
 Hp3456a DVM
 Keithley 2002 DVM
 D scope series iii audio analyzer
 Wayne Kerr 3255B with a 3265B



* All graphs input level 20dbu.
 ** The results are typical and are subject to normal manufacturing and electrical tolerances.